

Model	Duplex Unit for N220 (Ricoh AD120, Savin Duplex Unit for 9180, Nashua DU3018, infotec Duplex Unit 9118)	Volt/Hz	Date of Modification	Serial Number
Modified Article	Parts Catalog			
Reason for Modification	Parts catalog correction			

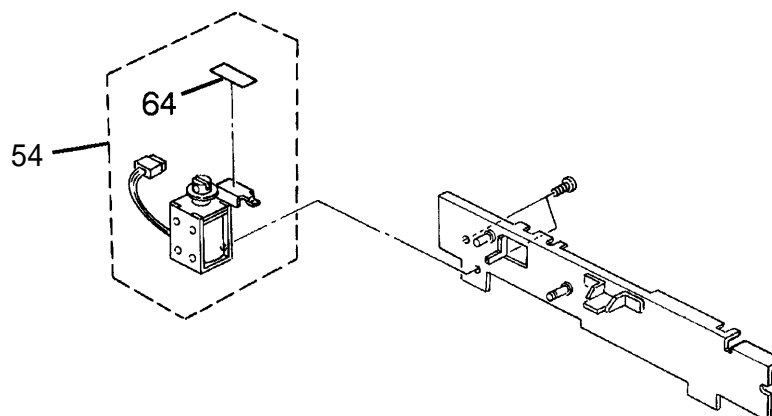
All version

Please correct your parts catalog as follows:

Incorrect P/N	Correct P/N	Description	Q'ty Used	Index No.	Page
A4915220	A4914832	Fusing Gate Solenoid	1 - 1	54	3
	A4914831	Mylar Seal -0.188x9x33	0-1	#64	3

#: New Index

1. DUPLEX UNIT 1 (A491) (Page 2)



Europe version (Ricoh, Nashua and infotec) only

Please add the following part to your parts catalog:

Part Number	Description	Q'ty Used	Index No.	Page
A491 6060	Multi Decal - Removing Misfed Paper	1	1	13

6. DECAL AND DOCUMENT (A491) (Page 12)




1


Printed in Japan

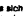
Deutsch

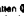

Beseitigung von Papierstaus

Wenn E aufleuchtet

1 Platte  anheben bis sie einrastet, und Papier entfernen.



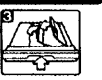
2 Falls sich dort kein Papier befindet, Platte  anheben und Papier entfernen.

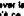
3 Platten  und  wieder herunterklappen, und Kopierer wieder startest.

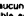
Français



En cas de bourrage papier

Si le voyant E clignote

1 Soulever la plaque  jusqu'à ce qu'elle se bloque, et retirer la feuille.

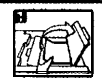


2 Si aucune feuille n'est visible, soulever la plaque  et retirer la feuille.

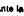
3 Remettre en place les plaques  et , puis l'unité.

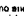
Español



Extracción del papel atascado

Si E está encendido

1 Levante la placa  hasta el tope y extraiga el papel mal alimentado.




2 Si no encuentra el papel, levante la placa  y extraiga el papel.


3 Coloque las placas  y  en sus posiciones originales y restaure la unidad.

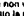
Italiano



Rimozione della carta inceppata


Se E è illuminato:

1 Sollevare la piastra  fino al suo arresto e rimuovere la carta inceppata.

2 Se non vi fosse carta sotto la prima piastra, sollevare la piastra  e rimuovere i fogli inceppati.

3 Riporre le piastre  ed  alla loro posizione originale e ripristinare l'unità.


M. Konno, Manager
Reprographic Q. A. Section

MODEL NAME	V/Hz	DESTINATION	CODE	SERIAL NUMBER
Savin Duplex Unit for use in 9180 copier	115/60	USA, Canada	A491-15	From First Production
Nashua DU3018	115/60	Canada, L. America	A491-16	From First Production
Ricoh AD120	115/60	USA, Canada	A491-17	From First Production
Nashua DU3018	220,240/50	Europe, etc.	A491-25	From First Production
infotec Duplex Unit 9118	220,240/50	Europe	A491-26	From First Production
Ricoh AD120	220,240/50	Europe, Asia, etc.	A491-27	From First Production

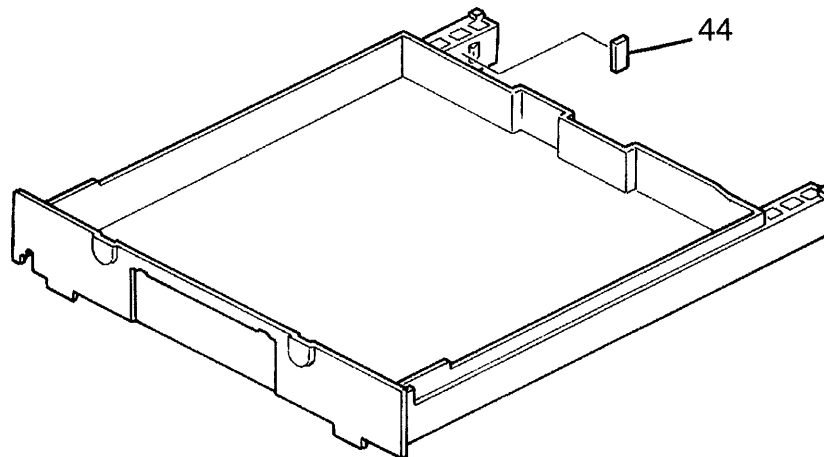
Model	Duplex Unit for N220 (Ricoh AD120, Savin Duplex Unit for 9180, Nashua DU3018, infotec Duplex Unit 9118)	Volt/Hz	Date of Modification	Serial Number
Modified Article	Parts Catalog			
Reason for Modification	Parts catalog correction			


Please add the following part to your parts catalog:

Part Number	Description	Q'ty Used	Index No.	Page
AA162035	Cushion - Paper Tray	1	#44	5

#: New Index

2. DUPLEX UNIT 2 (A491) (Page 4)




 M. Konno, Manager
 Reprographic Q. A. Section

MODEL NAME	V/Hz	DESTINATION	CODE	SERIAL NUMBER
Savin Duplex Unit for use in 9180 copier	115/60	USA, Canada	A491-15	From First Production
Nashua DU3018	115/60	Canada, L. America	A491-16	From First Production
Ricoh AD120	115/60	USA, Canada	A491-17	From First Production
Nashua DU3018	220,240/50	Europe, etc.	A491-25	From First Production
infotec Duplex Unit 9118	220,240/50	Europe	A491-26	From First Production
Ricoh AD120	220,240/50	Europe, Asia, etc.	A491-27	From First Production

Model		Duplex Unit for N220 (Ricoh AD120, Savin Duplex Unit for 9180, Nashua DU3018, infotec Duplex Unit 9118)					Volt/Hz	Date of Modification	Serial Number	
Modified Article		Turn Driven Roller								
Reason for Modification		To prevent the center part of the paper leading edge from being folded								
Draw No.	Old Parts No.	New Parts No.	Description	A.B.C.	Q'ty Used Old → New	Inter- change- ability	Part needed for replacement by new part		Parts Catalog	
				Rank			Part No.	Description	Index No.	Page
	AF022043		Small Driven Roller		6 - 3				38	5
		AF022032	Turn Driven Roller		0 - 3	X/O			#45	5
								#: New Index		

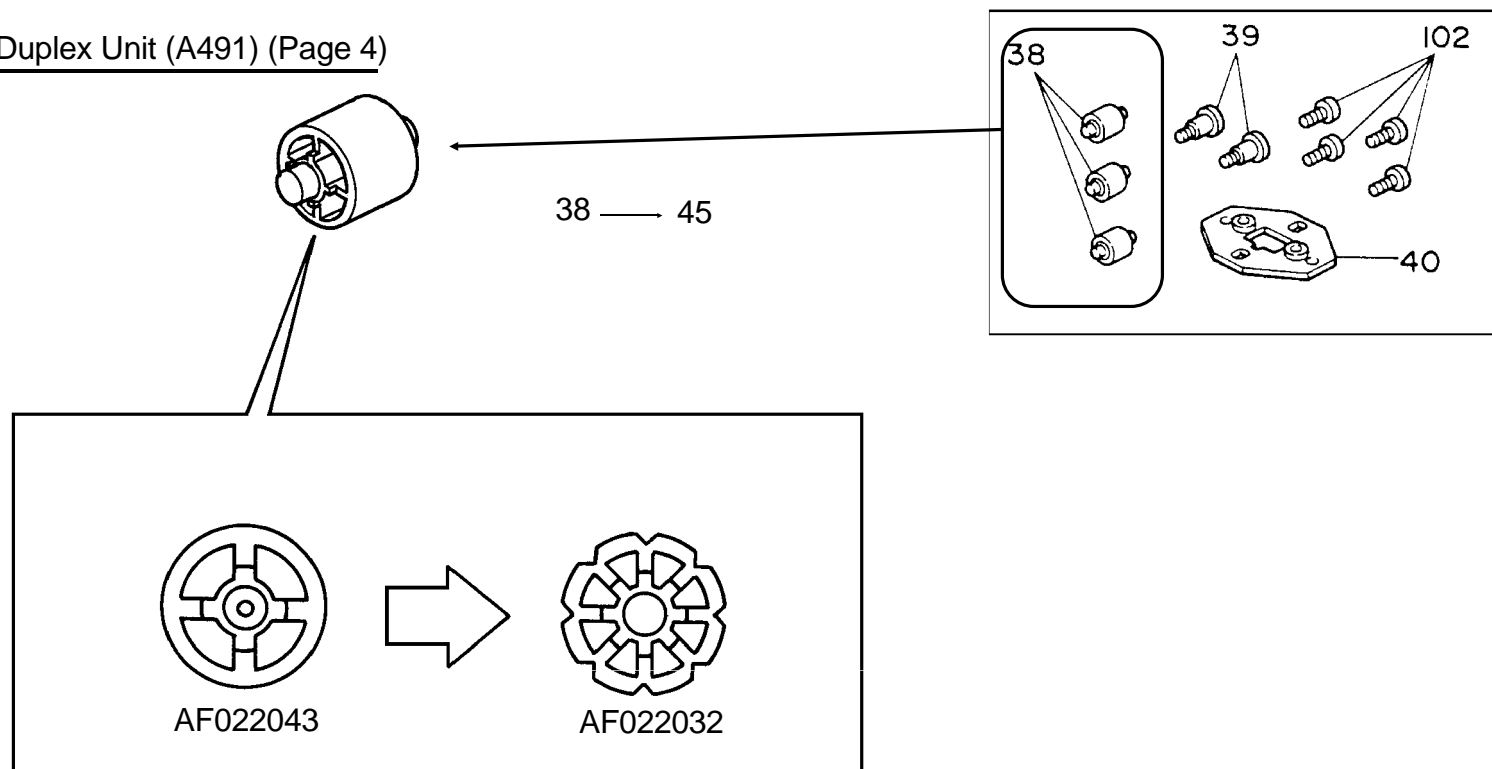
Rank: A : Replace with new parts immediately. B : Replace with new parts at time of repair. C : Replace with new parts at time of overhaul.
 Interchangeability:
 (1) When old and new parts are not mutually interchangeable, use additional parts or an assembly part as indicated in "Parts needed for replacement by new part" to install the new part.
 (2) The mark to the left of the slash indicates whether the old part can be used in the new machine, and the mark to the right indicates whether the new part can be used in the old machine. x = Not interchangeable o = Interchangeable

DETAILS OF MODIFICATION

The center part of the paper leading edge is folded by hitting the turn driven roller when the paper curl is big.

To increase transportation of the roller, eight grooves have been given on the surface of the roller .

Duplex Unit (A491) (Page 4)



T. Ito, Manager
Copier Technical Support

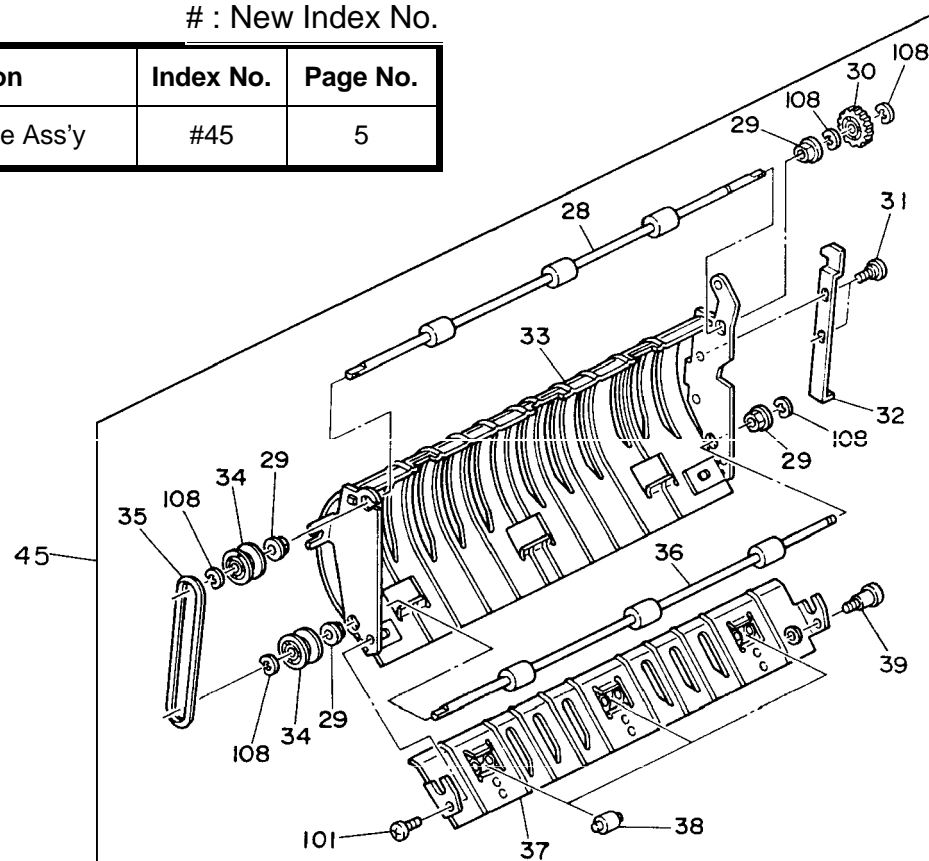
MODEL NAME	V/Hz	DESTINATION	CODE	SERIAL NUMBER
Savin Duplex Unit for use in 9180 copier	115/60	USA, Canada	A491-15	3590080301
Nashua DU3018	115/60	Canada, L.America	A491-16	From First Production
Ricoh AD120	115/60	USA, Canada	A491-17	2610080001
Nashua DU3018	220,240/50	Europe, etc.	A491-25	From First Production
infotec Duplex Unit 9118	220,240/50	Europe	A491-26	3970080001
Ricoh AD120	220,240/50	Europe, Asia, etc.	A491-27	2610080536

Model	Duplex Unit for N220 (Ricoh AL 200, Savin Duplex Unit for 9180, Nashua DU3018, infotec Duplex Unit 9118)	Volt/Hz	Date of Modification	Serial Number
Modified Article	Turn Guide Plate Ass'y			
Reason for Modification	To facilitate servicing			

To facilitate servicing, the turn guide plate assembly (index number #45) has been registered as a service part as shown in the illustration.

: New Index No.

Part Number	Description	Index No.	Page No.
A4914551	Turn Guide Plate Ass'y	#45	5



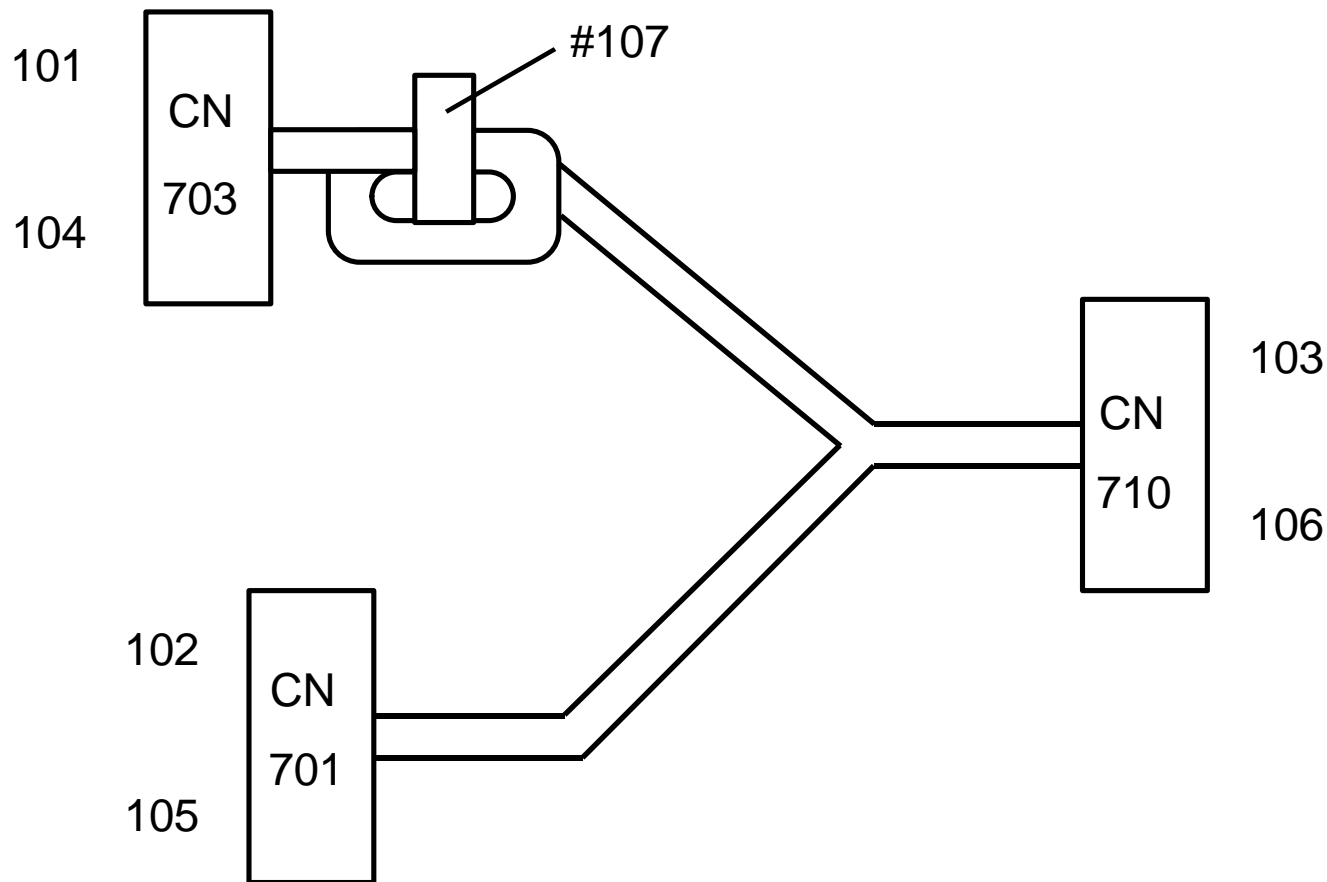
T.Ito, Manager
Copier Technical Support

Model		Duplex Unit for N220 (Ricoh AD120, Savin Duplex Unit for 9180, Nashua DU3018, infotec Duplex Unit 9118)					Volt/Hz	Date of Modification	Serial Number	
Modified Article		Duplex Harness								
Reason for Modification		To reduce radio wave for Safety Standard (VDE)								
Draw No.	Old Parts No.	New Parts No.	Description	A.B.C.	Q'ty Used Old → New	Inter-changeability	Part needed for replacement by new part		Parts Catalog	
				Rank			Part No.	Description	Index No.	Page
	A4915300	A4915306	Duplex Harness		1 - 1	X/O			1	5
		16070272	Ferrite Core		0 - 1				#107	9
								# : New Index No.		

Rank: A : Replace with new parts immediately. B : Replace with new parts at time of repair. C : Replace with new parts at time of overhaul.
 Interchangeability:
 (1) When old and new parts are not mutually interchangeable, use additional parts or an assembly part as indicated in "Parts needed for replacement by new part" to install the new part.
 (2) The mark to the left of the slash indicates whether the old part can be used in the new machine, and the mark to the right indicates whether the new part can be used in the old machine. x = Not interchangeable o = Interchangeable

DETAILS OF MODIFICATION

A ferrite core has been added to the duplex harness as shown to reduce radio waves produced by the duplex unit.



T.Ito, Manager
Copier Technical Support

MODEL NAME	V/Hz	DESTINATION	CODE	SERIAL NUMBER
Savin Duplex Unit foe use in 9180 copier	115/60	USA, Canada	A491-15	
Nashua DU3018	115/60	Canada, L.America	A491-16	
Ricoh AD120	115/60	USA, Canada	A491-17	
Nashua DU3018	220,240/50	Europe, etc.	A491-25	From First Production
infotec Dupex Unit 9118	220,240/50	Europe	A491-26	3971100038
Ricoh AD120	220,240/50	Europe, etc.	A491-27	2610111065

Model	Duplex Unit for N220 (Ricoh AD120, Savin Duplex Unit for 9180, Nashua DU3018, infotec Duplex Unit 9118)	Volt/Hz	Date of Modification	Serial Number
Modified Article	Upper and lower turn rollers			
Reason for Modification	Parts Catalog Correction			

Please correct your catalog as follows:

P/N	Description	Incorrect Index No.	Correct Index No.	Page No.
AF020154	Upper Turn Roller	36	28	5
AF020155	Lower Turn Roller	28	36	5

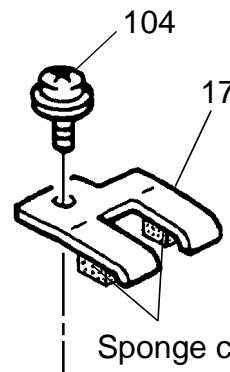
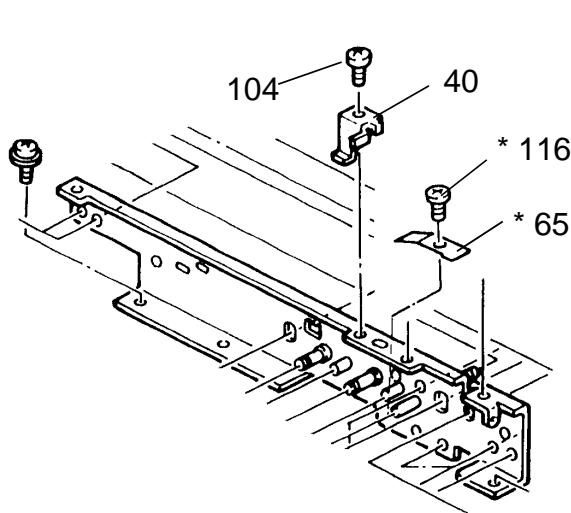
T .Ito, Manager
Copier Technical Support

MODEL NAME	V/Hz	DESTINATION	SERIAL NUMBER	
Savin Duplex Unit for use in 9180 copier	115/60	USA, Canada	A491-15	
Nashua DU3018	115/60	Canada, L.America	A491-16	
Ricoh AD120	115/60	USA, Canada	A491-17	
Nashua DU3018	220,240/50	Europe. etc.	A491-25	
infotec Duplex Unit 9118	220,240/50	Europe	A491-26	
Ricoh AD120	220,240/50	Europe, Asia, etc.	A491-27	

Model	Duplex Unit for N220 (Ricoh AD 120, SAVIN Duplex Unit for 9180, Nashua DU3018, infotec Duplex Unit 9118)	Volt/Hz	Date of Modification	Serial Number
Modified Article	Duplex Bottom Plate			
Reason for Modification	To ensure the grounding			

To ensure the grounding to the duplex bottom plate, two sponge cushions has been added to the pressure plate and a spring plate has been added to the front side plate.

Old P/N	New P/N	Description	Q'ty Used	Inter-change-ability	Parts Catalog	
					Index No.	Page
A4914695	A4914694	Pressure Plate - Bottom Plate	1 → 1	X/O	17	5
	A3344672	Grounding Plate	0 → 1		* 65	3
	03130030B	Philips Pan Head Screw - M3 x 3	0 → 1		* 116	3



* : New index no.

NOTE: A screw hole for the spring plate has been added to the front side plate. However, the part number of the front side plate has not been changed.

Sponge cushions has been added.

T. Ito, Manager
Copier Technical Support

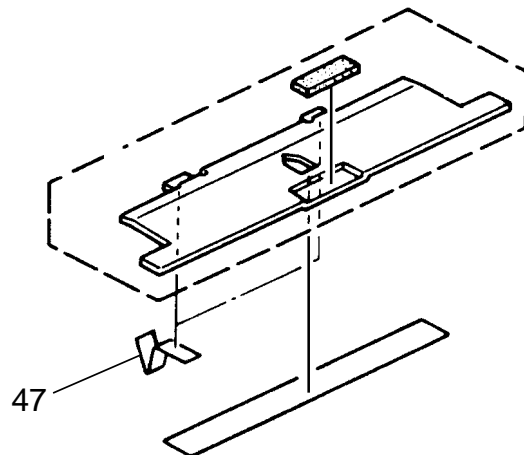
MODEL NAME	V/Hz	DESTINATION	SERIAL NUMBER	
Savin Duplex Unit for use in 9180 copier	115/60	USA, Canada	A491-15	3593045403
Nashua DU3018	115/60	Canada, L.America	A491-16	306XXXX
Ricoh AD120	115/60	USA, Canada	A491-17	2613040209
Nashua DU3018	220,240/50	Europe. etc.	A491-25	2143040068
infotec Duplex Unit 9118	220,240/50	Europe	A491-26	3970430001
Ricoh AD120	220,240/50	Europe, Asia, etc.	A491-27	2613050426

Model	Duplex Unit for N220 (Ricoh AD 120, SAVIN Duplex Unit for 9180, Nashua DU3018, infotec Duplex Unit 9118)	Volt/Hz	Date of Modification	Serial Number
Modified Article	Tray Bottom Plate			
Reason for Modification	To improve the bottom plate movement			

To improve the bottom plate movement, two spring plate has been added.

Old P/N	New P/N	Description	Q'ty Used	Inter-change-ability	Parts Catalog	
					Index No.	Page
	A4914691	Spring Plate - Tray Bottom Plate	0 → 2		* 47	5

* : New index no.



T. Ito, Manager
Copier Technical Support

MODEL NAME	V/Hz	DESTINATION	SERIAL NUMBER	
Savin Duplex Unit for use in 9180 copier	115/60	USA, Canada	A491-15	
Nashua DU3018	115/60	Canada, L.America	A491-16	
Ricoh AD120	115/60	USA, Canada	A491-17	
Nashua DU3018	220,240/50	Europe. etc.	A491-25	
infotec Duplex Unit 9118	220,240/50	Europe	A491-26	
Ricoh AD120	220,240/50	Europe, Asia, etc.	A491-27	

Model	Duplex Unit for N220	Volt/Hz	Date of Modification	Serial Number
Modified Article	Large Driven Roller			
Reason for Modification	Parts standardization			

To standardize the parts with other model, the following part has been changed.

Old P/N	New P/N	Description	Q'ty Used	Inter-change-ability	Parts Catalog	
					Index No.	Page
AF022044	AF022071	Large Driven Roller	5 → 5	O/O	4	3

T. Ito, Manager
Copier Technical Support

MODEL NAME	V/Hz	DESTINATION	SERIAL NUMBER	
Savin Duplex Unit for use in 9180 copier	115/60	USA, Canada	A491-15	
Nashua DU3018	115/60	Canada, L.America	A491-16	
Ricoh AD120	115/60	USA, Canada	A491-17	
Nashua DU3018	220,240/50	Europe. etc.	A491-25	
infotec Duplex Unit 9118	220,240/50	Europe	A491-26	
Ricoh AD120	220,240/50	Europe, Asia, etc.	A491-27	

Model	Duplex Unit for N220	Volt/Hz	Date of Modification	Serial Number
Modified Article	Paper Holding Bar			
Reason for Modification	Parts standardization			

To standardize the parts with other model, the following part has been changed.

Old P/N	New P/N	Description	Q'ty Used	Inter-change-ability	Parts Catalog	
					Index No.	Page
A4914765	A3344753	Paper Holding Bar	4 → 4	O/O	8	3

T. Ito, Manager
Copier Technical Support

MODEL NAME	V/Hz	DESTINATION	SERIAL NUMBER	
Savin Duplex Unit for use in 9180 copier	115/60	USA, Canada	A491-15	
Nashua DU3018	115/60	Canada, L.America	A491-16	
Ricoh AD120	115/60	USA, Canada	A491-17	
Nashua DU3018	220,240/50	Europe. etc.	A491-25	
infotec Duplex Unit 9118	220,240/50	Europe	A491-26	
Ricoh AD120	220,240/50	Europe, Asia, etc.	A491-27	

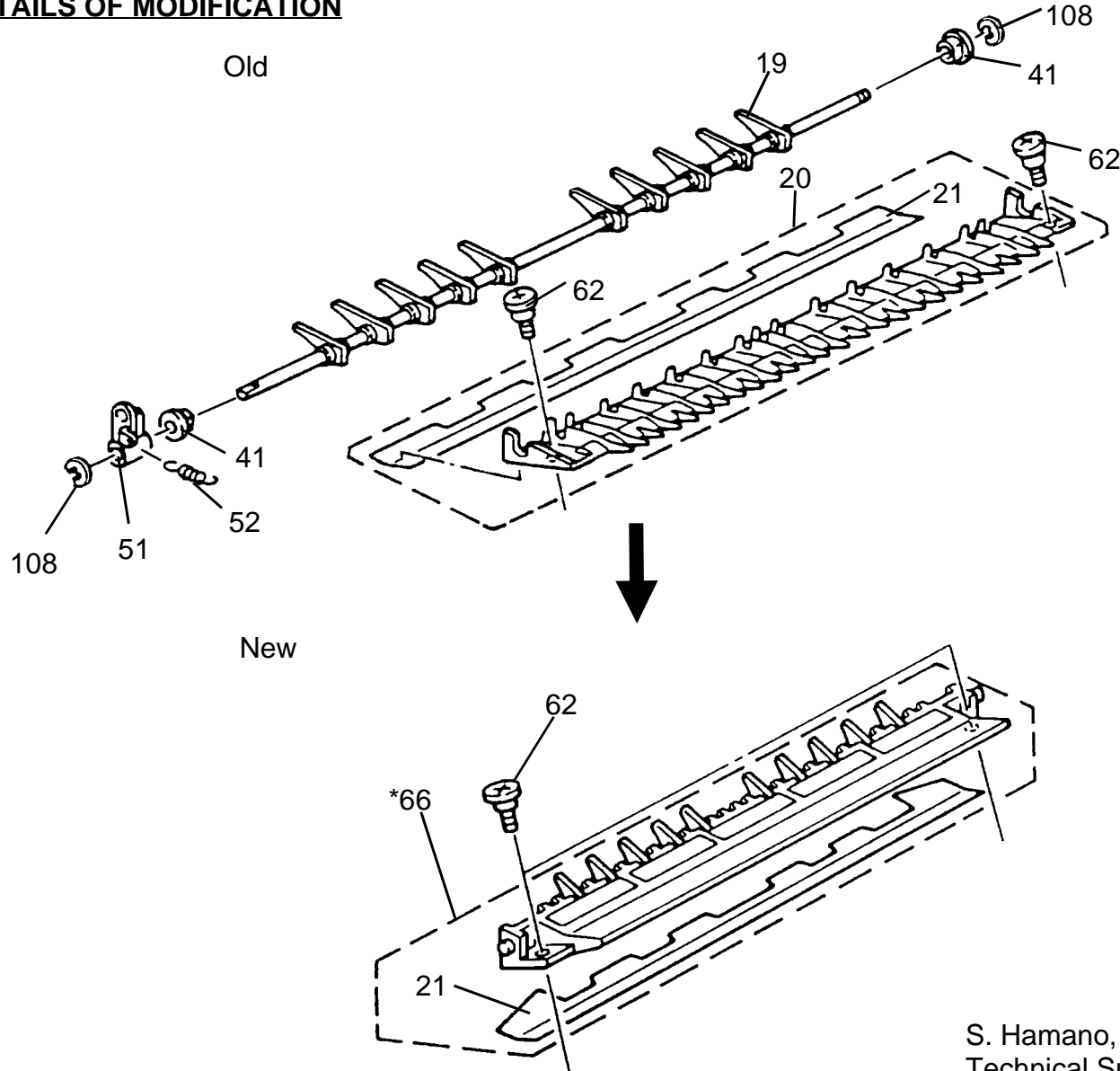
Model	Duplex Unit for N220	Volt/Hz	Date of Modification	Serial Number
Modified Article	Junction Gate, etc.			
Reason for Modification	Due to parts standardization with Pigeon Duplex			

Due to parts standardization with the Pigeon Duplex, the inverter guide plate and junction gate have been become the one unit as shown in the next page.

Old P/N	New P/N	Description	Q'ty Used	Inter-change-ability	Parts Catalog	
					Index No.	Page
A4914789	A4914788	Inverter Guide Plate	1 → 0	X/	20	3
AA080022		Bushing - 4 x 7 x 5mm	4 → 2	X/	41	3
AF025013		Junction Gate	1 → 0	X/	19	3
A4914725		Junction Gate Hook	1 → 0	X/	51	3
54423233		Spring - Drive Wheel	2 → 1	X/	52	3
07200030E		Retaining Ring - M3	n → n-2	X/	108	3
		Inverter Guide Plate		/O	*66	3

* New Index

DETAILS OF MODIFICATION



S. Hamano, Assistant General Manager
Technical Support Department

MODEL NAME	V/Hz	DESTINATION	SERIAL NUMBER	
Savin Duplex Unit for use in 9180 copier	115/60	USA, Canada	A491-15	
Nashua DU3018	115/60	Canada, L.America	A491-16	
Ricoh AD120	115/60	USA, Canada	A491-17	
Nashua DU3018	220,240/50	Europe. etc.	A491-25	
infotec Duplex Unit 9118	220,240/50	Europe	A491-26	
Ricoh AD120	220,240/50	Europe, Asia, etc.	A491-27	